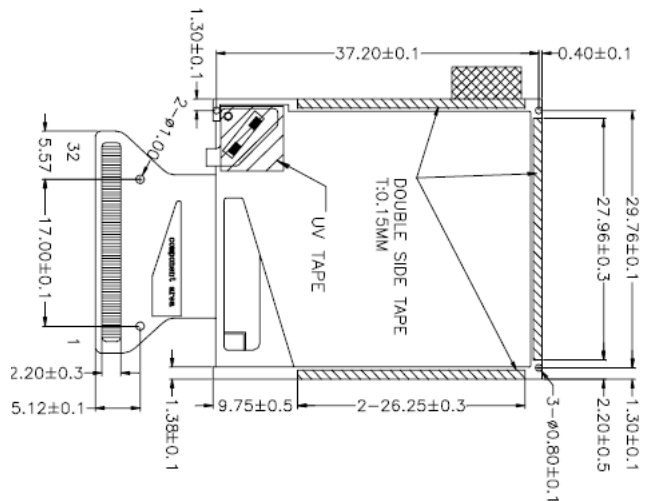
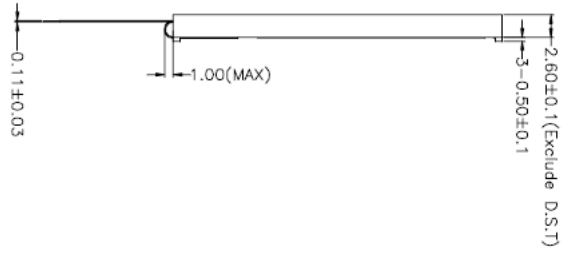
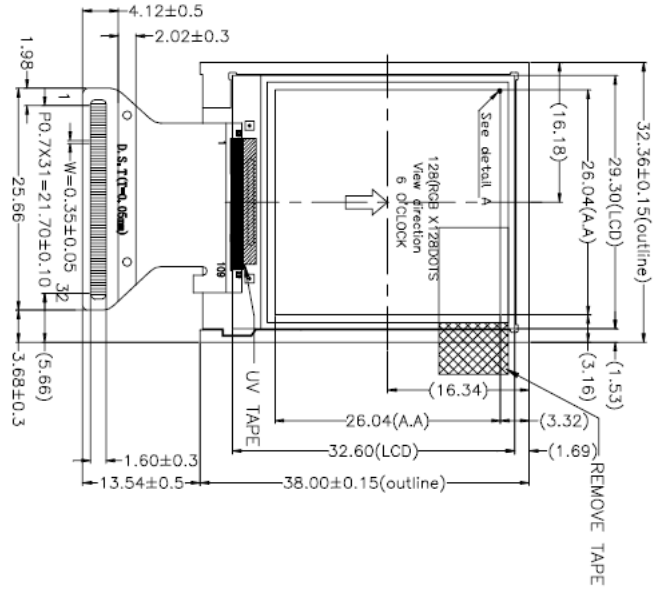
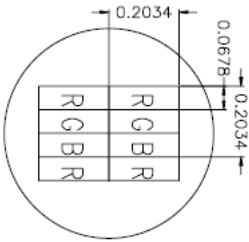


Outline Drawing



LED CIRCUIT DIAGRAM



Detail: A
Scale: 40:1

- NOTES:
- 1.DISPLAY TYPE: TFT/Transmissive
 - 2.DRIVER IC:ST7715R
 - 3.VIEWING DIRECTION: 6:00 O'clock
 - 4.OPERATING TEMP: -20° C----+70° C
 - 5.STORAGE TEMP: -30° C----+80° C
 - 6.Backlight: 1 LED
 7. RoHS Compliant

No:	PIN NAME
1	GND
2	AVCL
3	GND
4	AVDD
5	VPP(OP)
6	IOVCC
7	GND
8	WR/RS
9	DO/SDA
10	IN2
11	D2
12	D4
13	D6
14	/CS
15	RESET
16	D7
17	D5
18	D3
19	D1
20	GND
21	RS/SCL
22	RD
23	VCC
24	SPW4
25	GND
26	IOVCC
27	GND
28	IOVCC
29	GND
30	LEDA
31	LEDK
32	NC

NOVO LCD Co.

DRAWN BY:	TITLE: NL0145BMG	SCALE:	UNIT: mm
CHECKED BY:	DWG NO:	SCALE:	UNIT: mm
APPROVED BY:	DWG NAME:	SHEET NO:	OP
CONFIRMED BY:			