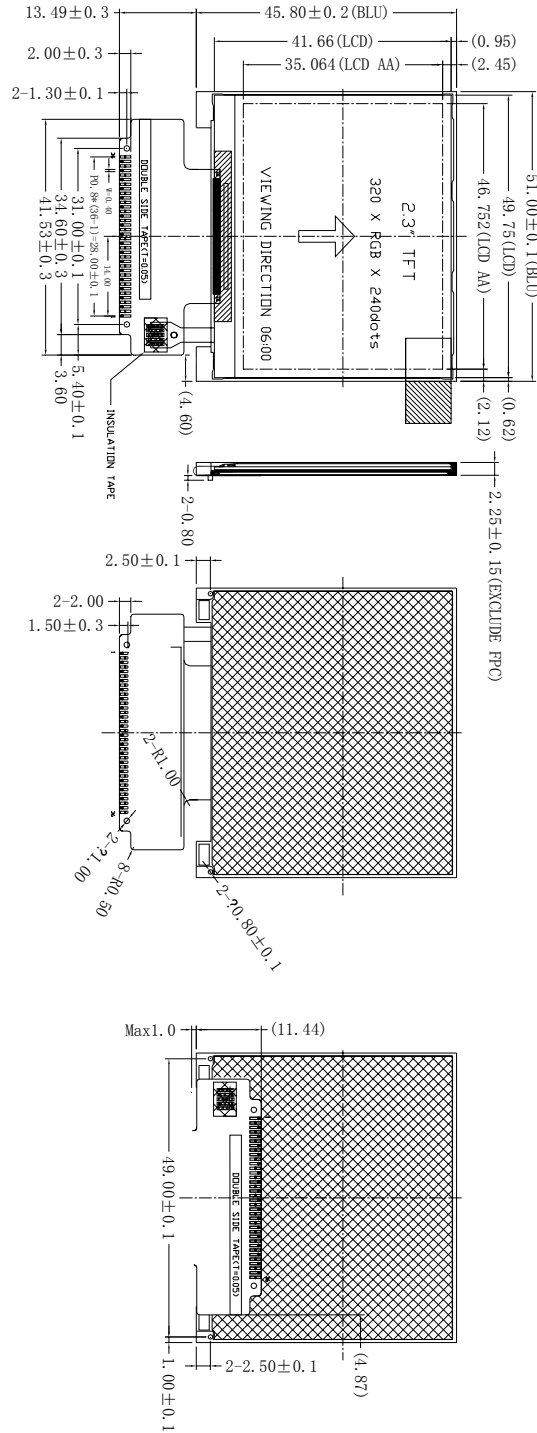


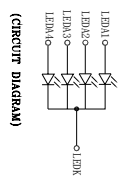
Outline Drawing

Pin	Pin Name
1	LEDK
2	LEDA4
3	LEDA3
4	LEDA2
5	LEDA1
6	GND
7	RESET
8	DB15
9	DB14
10	DB13
11	DB12
12	DB11
13	DB10
14	DB9
15	DB8
16	DB7
17	DB6
18	DB5
19	DB4
20	DB3
21	DB2
22	DB1
23	DB0
24	V16_8X
25	RD
26	WR
27	RS
28	CS
29	IDVCC
30	VCC
31	VCI
32	GND
33	NC
34	NC
35	NC
36	NC



NOTES:

- 1.DISPLAY TYPE: a-si TFT
- 2.VIEWING DIRECTION: 6:00
- 3.OPERATING TEMP: -20° C--+70° C
- 4.STORAGE TEMP: -30° C--+80° C
- 5.BACKLIGHT: 4 LEDs
- 6.DISPLAY MODE: TRANSMISSIVE
- 7.DRIVER IC: IL19342



NOVO LCD Co.

DRAWN BY:		TITLE: NL0236AMG-1		SCALE:	
CHECKED BY:		DWG NO:		UNITS: mm	
APPROVED BY:		DWG NAME:		SHEET NO: OF	
CONFIRMED BY:					