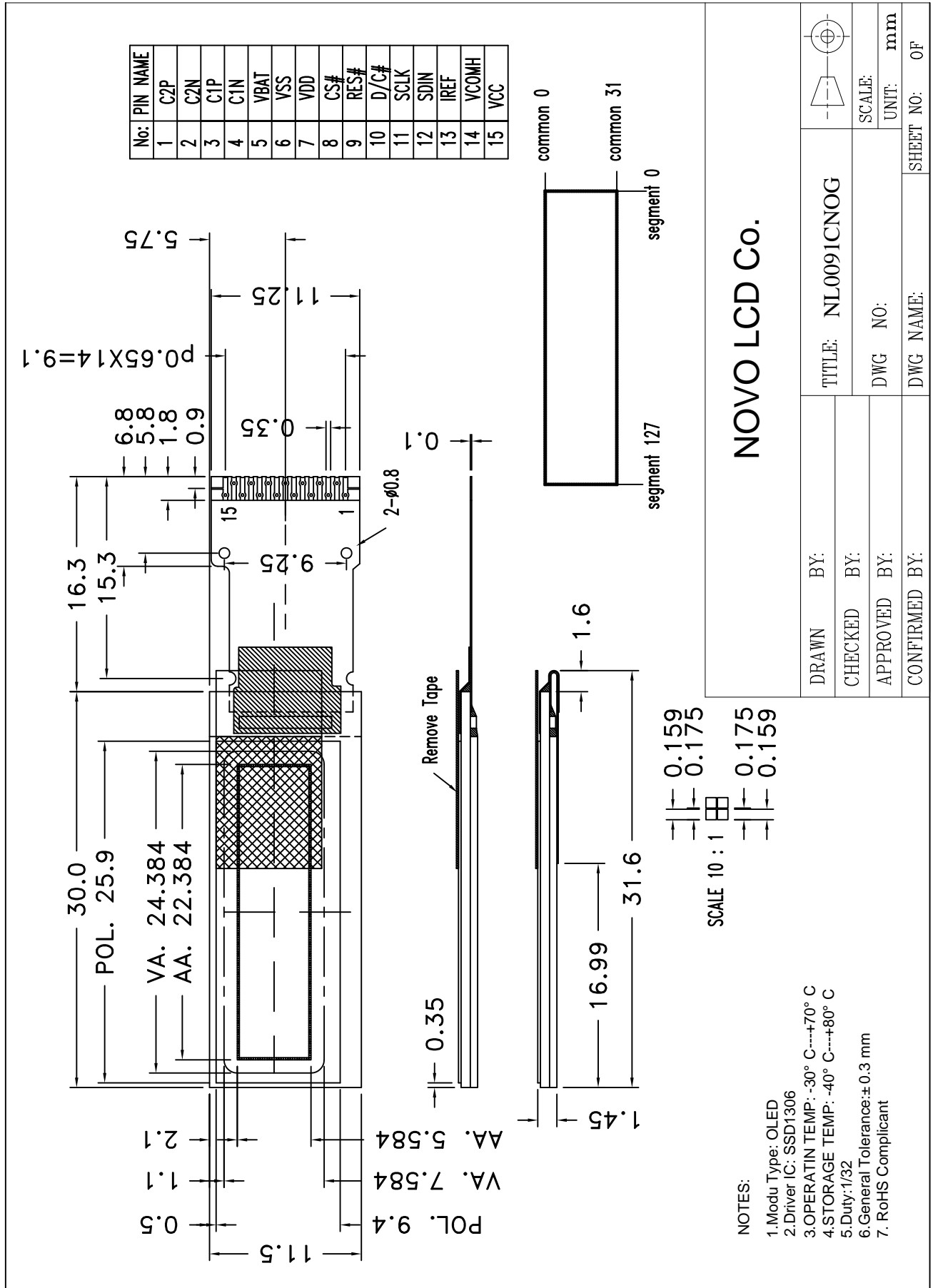


Outline Drawing



NOTES:

- 1.Modu Type: OLED
- 2.Driver IC: SSD1306
- 3.OPERATING TEMP: -30° C---+70° C
- 4.STORAGE TEMP: -40° C---+80° C
- 5.Duty:1/32
- 6.General Tolerance:±0.3 mm
7. RoHS Compliant

SCALE 10 : 1

