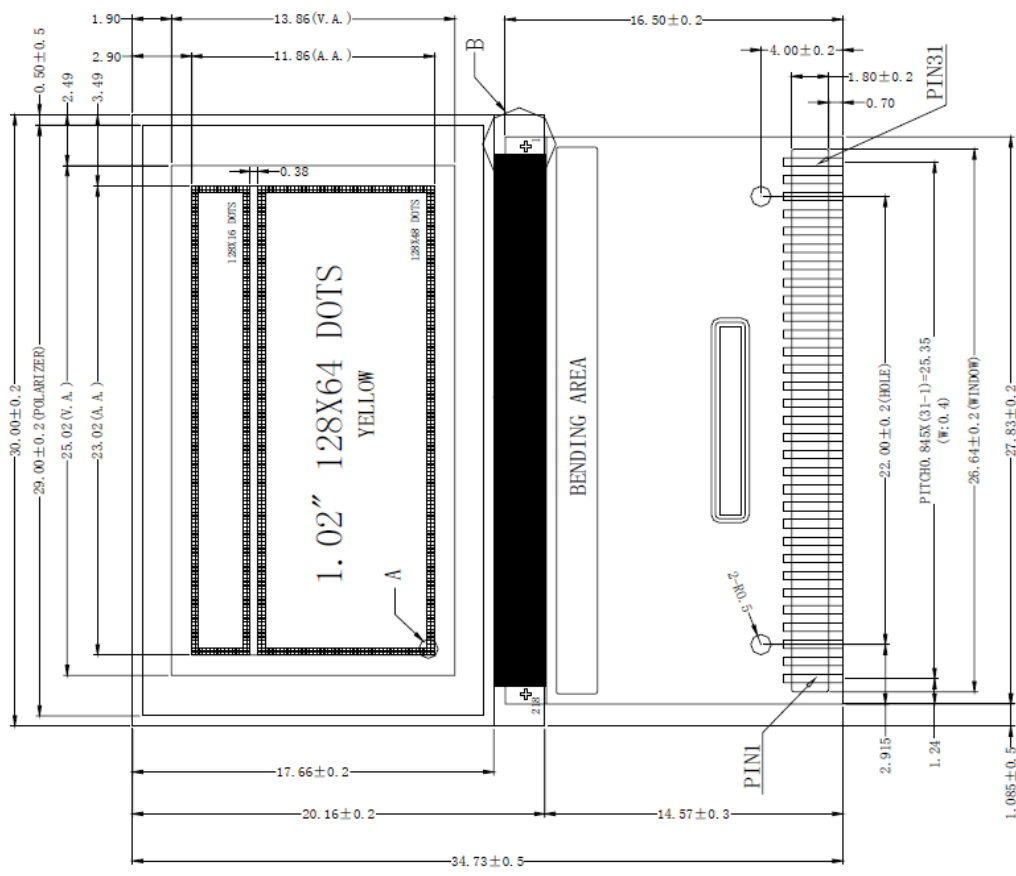
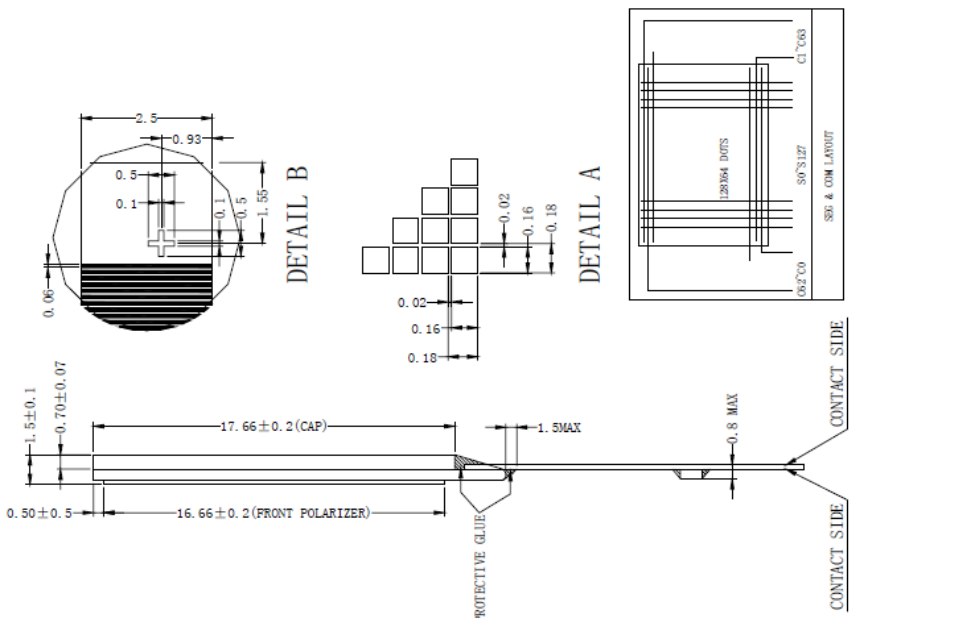


PIN ASSIGNMENT

PIN	SYMBOL
PIN1	NC
PIN2	VPP
PIN3	VCOMH
PIN4	TREF
PIN5	D7
PIN6	D6
PIN7	D5
PIN8	D4
PIN9	D3
PIN10	D2
PIN11	D1
PIN12	D0
PIN13	/RD
PIN14	/WR
PIN15	A0
PIN16	/RES
PIN17	/CS
PIN18	NC
PIN19	P/S
PIN20	C86
PIN21	VDD1
PIN22	NC
PIN23	NC
PIN24	NC
PIN25	VBRF
PIN26	SENSE
PIN27	FB
PIN28	VDD2
PIN29	SW
PIN30	VSS
PIN31	NC



NOVO LCD Co.

DRAWN BY:	TITLE: NL0102AUOG	SCALE:	mm
CHECKED BY:	DWG NO:	UNIT:	mm
APPROVED BY:	DWG NAME:	SHEET NO:	OF
CONFIRMED BY:			

NOTES:

- 1.Driver IC: SH1101A
- 2.OPERATIN TEMP: -20° C--+70° C
- 3.STORAGE TEMP: -30° C--+80° C
- 4.General Tolerance:± 0.2 mm
5. RoHS Compliant