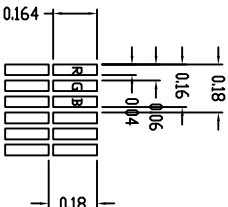
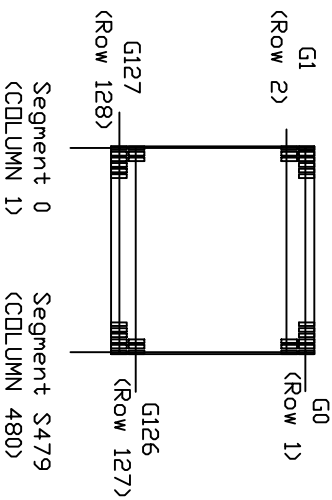
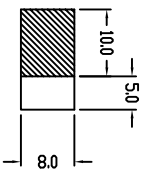
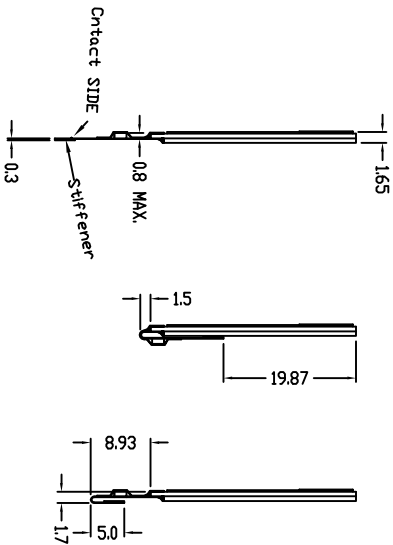
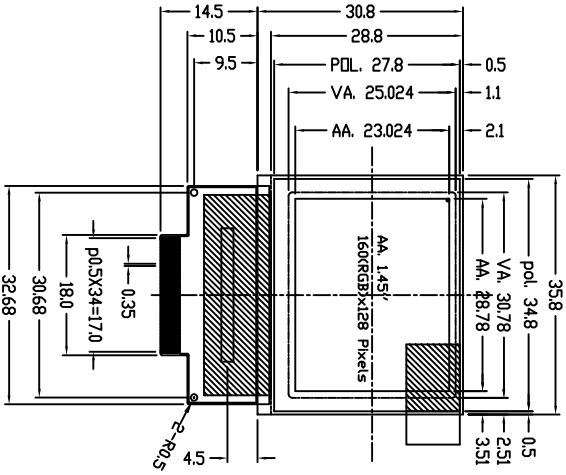


No.	PIN NAME
1	N.C.
2	VSDH
3	VDDH
4	VSSH
5	REF
6	DSCA2
7	DSCA1
8	VDDID
9	VSVNCD
10	VSYNC
11	HSYNC
12	DOTCLK
13	ENABLE
14	CPU
15	PS
16	D17
17	D16
18	D15
19	D14
20	D13
21	D12
22	D11
23	D10
24	D9
25	RS
26	CSB
27	R0B
28	WRB
29	RESETB
30	VSS
31	VDD
32	VSSH
33	VDDH
34	VSDH
35	N.C.



SCALE 40 : 1

- NOTES:
- 1.DRIVE IC: SEPPSS25
  - 2.Die Size : 19660um X 1850um
  - 3.CDF Number : SEPPSS25F
  - 4.Interface :6-/8-/9-/bitsRGB I/F, 68XX/80XX Parallel,4-wire SPI

<b>NOVO LCD Co.</b>	
DRAWN BY:	TITLE: NL-0145BN0F
CHECKED BY:	SCALE:
APPROVED BY:	DWG NO.:
CONFIRMED BY:	DWG NAME:
	SHEET NO. 0F
	UNIT: mm