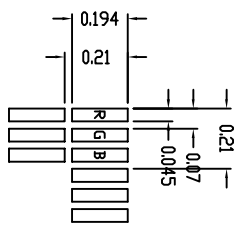
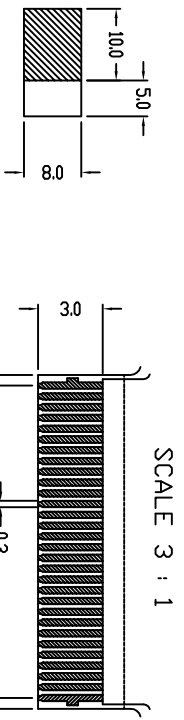
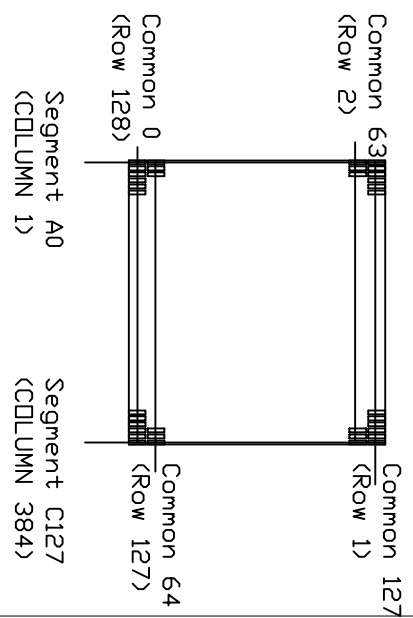
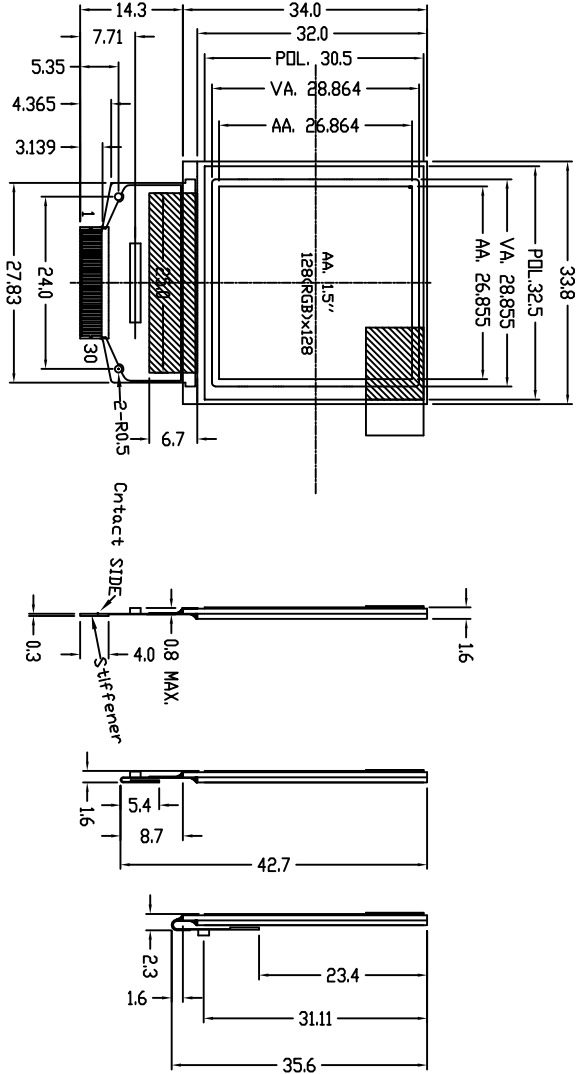


No:	PIN NAME
1	NC.(GND)
2	VCC
3	VCOMH
4	VDDID
5	VSL
6	NC.
7	D7
8	D6
9	D5
10	D4
11	D3
12	D2
13	D1
14	D0
15	E/RD#
16	RAW#
17	BS0
18	BS1
19	CS#
20	D/C#
21	RES#
22	IREF
23	GPID1
24	GPID0
25	NC.
26	VDD
27	VCI
28	VSS
29	NC.
30	NC.(GND)



- NOTES:
- 1.DRIVE IC: SSD1351U3
  - 2.Die Size : 10700um X 1500nm
  - 3.Controller Number : SSD1351US
  - 4.Interface : 8-bits 68XX/80XX Parallel,3-/4-wire SPI
  - 5.General Tolerance : ±0.3mm

<b>NOVO LCD Co.</b>			
DRAWN BY:	BY:	TITLE: NL0150BN0F	SCALE:
CHECKED BY:	BY:	DWG NO.:	UNIT: mm
APPROVED BY:	BY:	DWG NAME:	SHEET NO. 0F
CONFIRMED BY:	BY:		