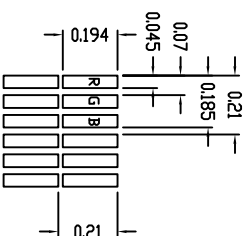
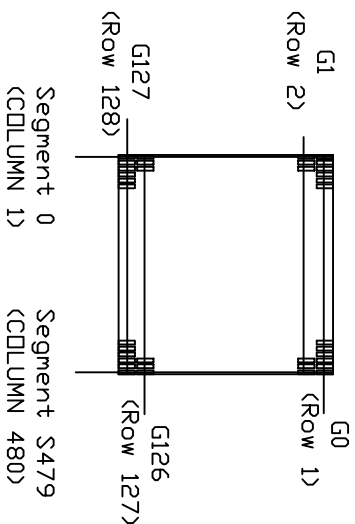
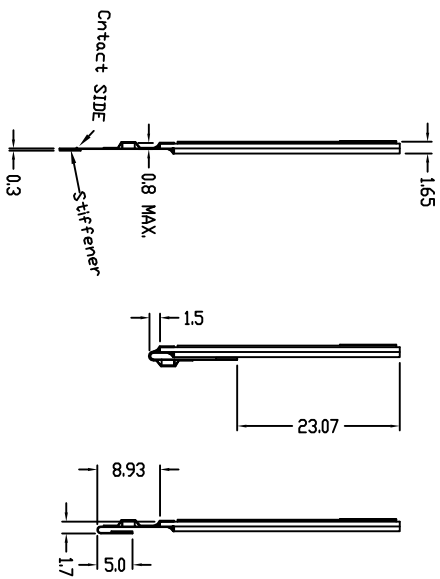
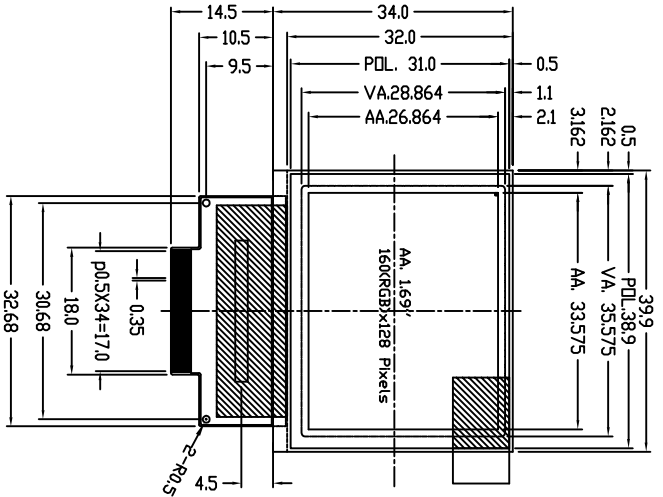


No.	PIN NAME
1	NC
2	VSDH
3	VDDH
4	VSSH
5	REF
6	DSCA2
7	DSCA1
8	VDD10
9	VSNCD
10	VSYNC
11	HSYNC
12	DOTCLK
13	ENABLE
14	CPU
15	PS
16	D17
17	D16
18	D15
19	D14
20	D13
21	D12
22	D11
23	D10
24	D9
25	RS
26	CSB
27	RDB
28	WRB
29	RESETB
30	VSS
31	VDD
32	VSSH
33	VDDH
34	VSDH
35	NC



SCALE 40 : 1

NOVO LCD Co.

- NOTES:
- 1.DRIVE IC: SEPPS525
  - 2.Die Size : 19660um X 1850um
  - 3.CDF Number : SEPPS525\_F00
  - 4.Interface :6/8/9/bit,6bit-RGB, 68XX/80XX Parallel,4-wire SPI

DRAWN BY:		TITLE: NL 0169ANOP		SCALE:	
CHECKED BY:		DWG NO:		UNIT: mm	
APPROVED BY:		DWG NAME:		SHEET NO: 0P	
CONFIRMED BY:					